

12V DC		11" (280mm) Suction			11" (280mm) Blowing		
Revotec part no		FAN0153HP			FAN0336HP		
Full COMEX code		F07P-12E8101-02S 2700.0153.00			F07P-12E8101-02B 2700.0336.00		
Fan shroud type		F07P			F07P		
Static pressure		Suction			Blowing		
Pa	Inches H ₂ O	Airflow m ³ /h	Airflow cfm	Current A	Airflow m ³ /h	Airflow cfm	Current A
0	0	1750	1030	9.4	1720	1010	9.3
25	0.1	1600	940	9.4	1590	940	9.3
50	0.2	1440	850	9.4	1440	850	9.3
75	0.3	1270	750	9.3	1250	740	9.4
100	0.4	1040	610	9.0	1010	600	9.4
125	0.5	760	450	9.2	730	430	9.4
150	0.6	560	330	9.4	490	290	9.4
175	0.7	320	190	9.7	250	150	9.9
200	0.8	60	40	10.2	0	0	10.7
250	1.0	0	0	10.6			

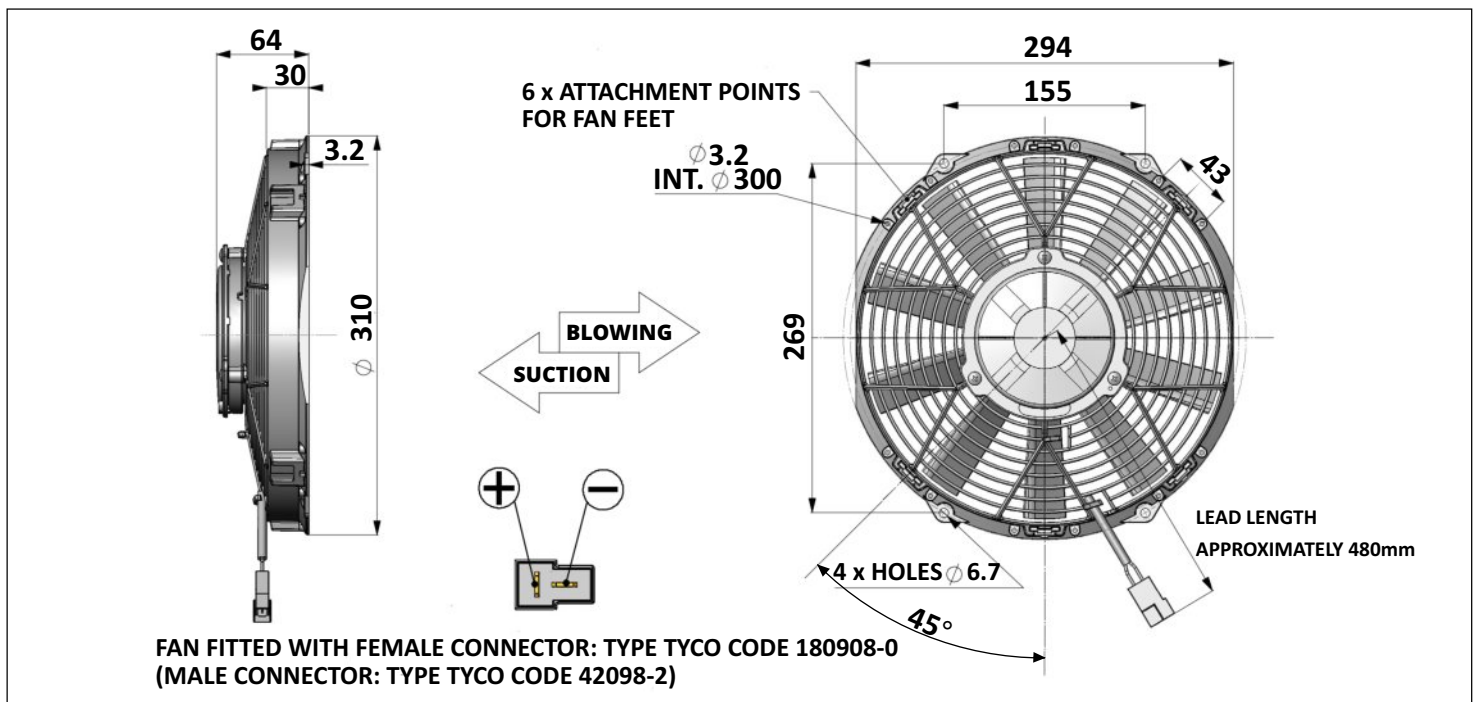


Suction/Blowing
(Straight blade)

Test voltage 13.0 V DC

Weight 1.7 kg

3D model available email us: sales@revotec.com



Notes: